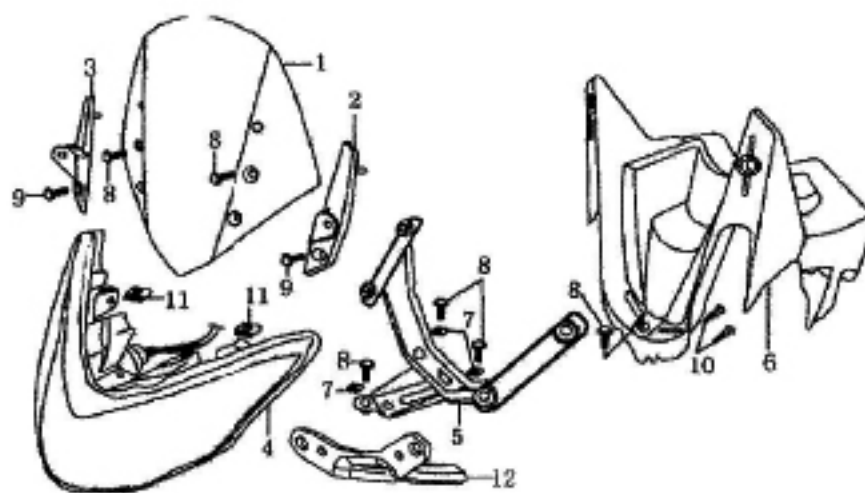
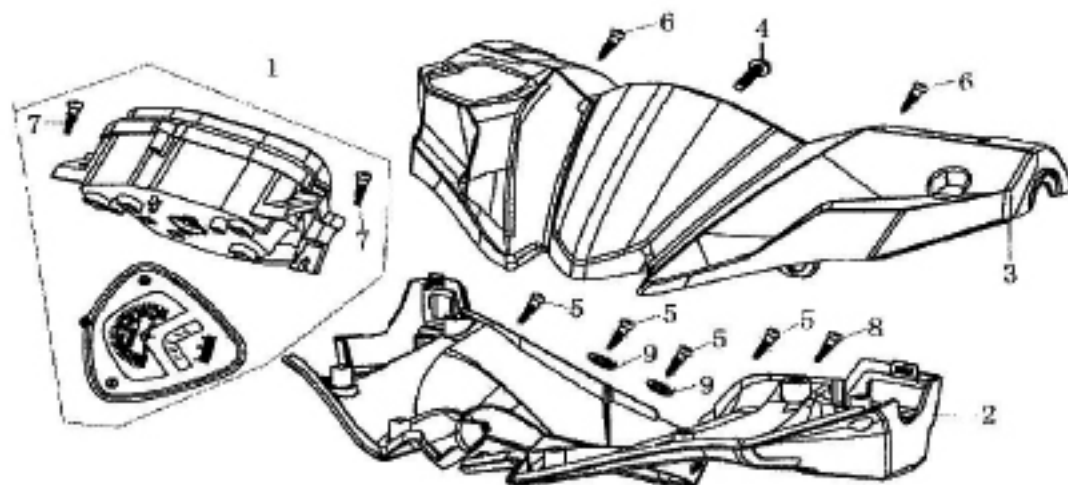


F-1 大灯总成 HEADLIGHT ASSY



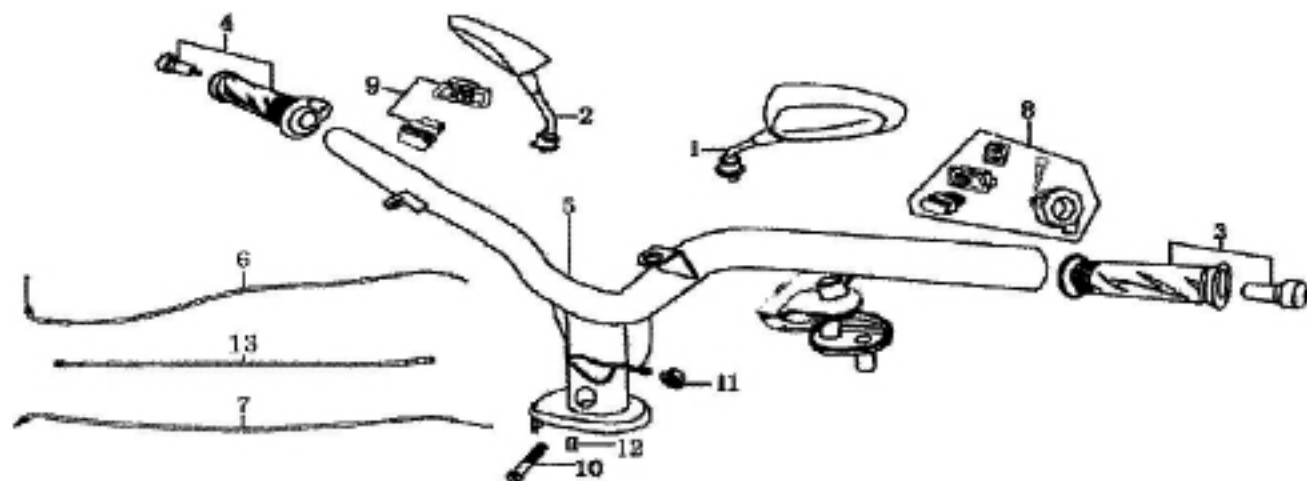
序号	零件编码	零件名称		数量
REF.	PART NO.	CHINESE	ENGLISH	QTY
1	ND3C295	挡风玻璃	Wind shield	1
2	ND3C897	前牌照支架左	Front nameplate bracket(LH)	1
3	ND3C898	前牌照支架右	Front nameplate bracket(RH)	1
4	ND31E140	前大灯总成	Head light Ass'y	1
5	ND3P003	大灯支架	Bracket,head light	1
6	ND3C901	前灯护罩	Cover,head light	1
7	FB08004CX	长螺母卡子M5	Clip,nut	3
8	9074105012CX	十字带垫螺钉M5*12	Screw with washer M5*12	6
9	9074105016CX	十字带垫螺钉M5*16	Screw with washer M5*16	2
10	FB01023CX	自攻钉ST4.2*13	Tapping Screw ST4.2*13	2
11	FB08005CX	自攻钉卡子4.2*17*11	Clip,tapping screw St4.2*17*11	2
12	ND3P873	大灯调节支架	headlight adjuster braket	1

F-2 仪表总成.METER ASSY



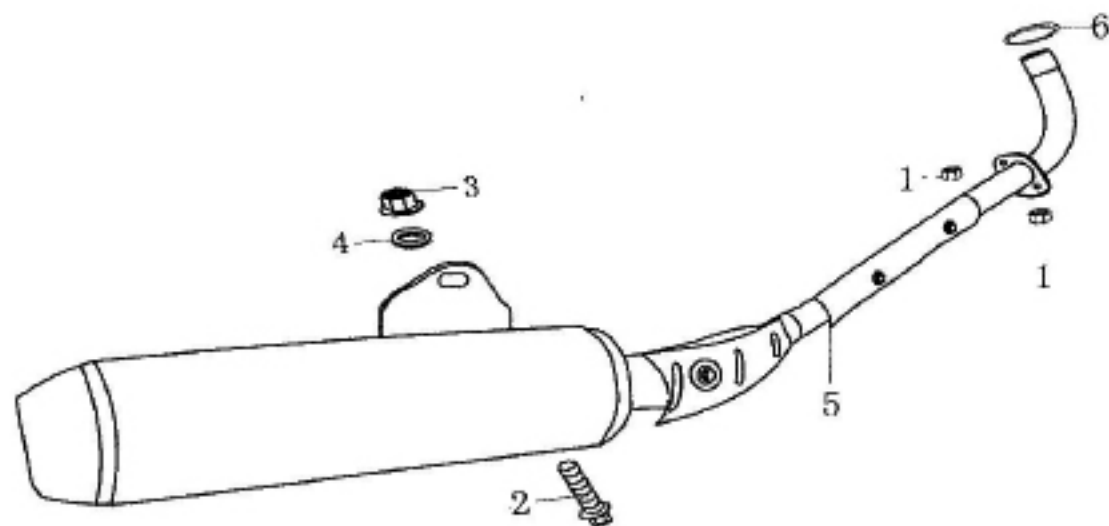
序号	零件编码	零件名称		数量
REF.	PART NO.	CHINESE	ENGLISH	QTY
1	ND3E120	仪表总成	Meter Ass'y	1
2	ND3C551	手把上罩	Upper cover, steering stem	1
3	NCCC550	手把下罩	Lower cover, steering stem	1
4	9074105016CX	十字带垫螺钉M5*16	Cross screw with washer M5*16	1
5	845042025CX	自攻钉ST4.2*25	Tapping screw ST4.2*25	4
6	FB01023CX	自攻钉ST4.2*13	Tapping screw ST4.2*13	2
7	FB01027CX	自攻钉ST4.8*16(大盘)	Tapping screw ST4.8*16	2
8	845048016CX	自攻钉ST4.8*16	Tapping Screw ST4.8*16	1
9	960005000	平垫5	Washer 5	2

F-3 方向把总成 STEERING BAR ASSY



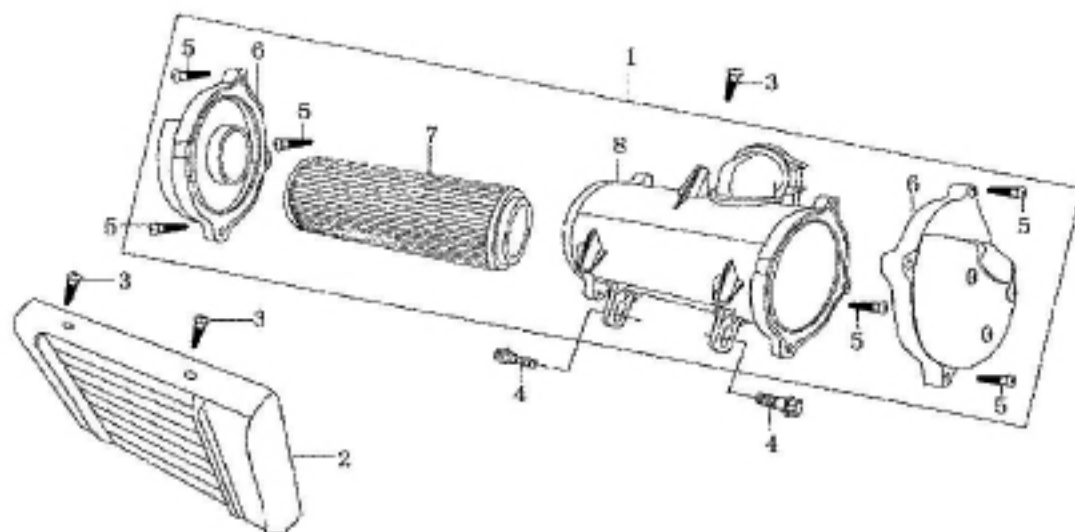
序号	零件编码	零件名称		数量
REF.	PART NO.	CHINESE	ENGLISH	QTY
1	N931C035	左后视镜	Rear-view mirror,LH	1
2	N933C040	右后视镜	Rear-view mirror,RH	1
3	NCCG001	左手把胶	Rubber grip,LH	1
4	NCCG002	右手把胶	Rubber grip,RH	1
5	ND3A050	手把管	Steering handle stem	1
6	NCCF020	油门操纵拉索	Throttle cable	1
7	NCCF030	风门操纵拉索	Choke cable	1
8	NCCE070	左闸把总成	Left switch	1
9	NCC1E080	右闸把总成	Right switch	1
10	578710050XYCX	六角头法兰面螺栓M10*50	Bolt,flange M10*50	1
11	618710000XYCX	六角头法兰面螺母M10	Nut,flange M10	1
12	L00J130CX	手把管卡垫	Washer	1
13	ND3F040	里程拉索	odometer cable	1

F-4 消声器总成 MUFFLER ASSY



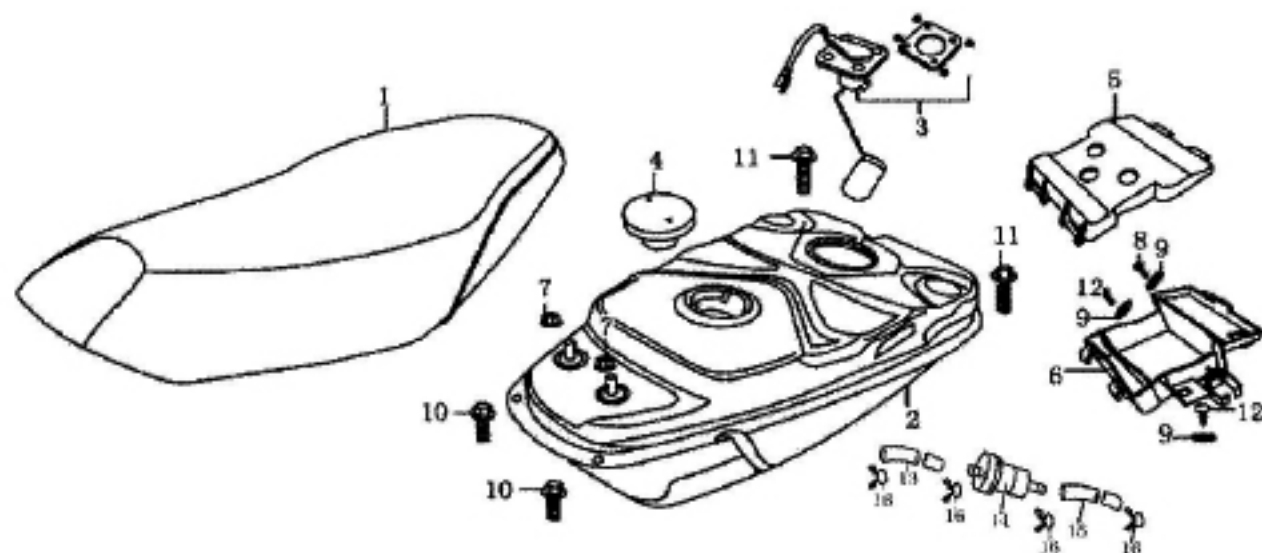
序号	零件编码	零件名称		数量
REF.	PART NO.	CHINESE	ENGLISH	QTY
1	560006000CX	六角螺母(厚)M6	Nut M6	2
2	578708055CX	六角法兰面螺栓M8*35	Bolt, flange M8*35	1
3	617708000CX	螺母M8	Nut M8	1
4	960008000CX	大平垫 8	Washer 8	1
5	ND33Q010R7	消声器总成	Muffler assy	1
6	ND33Q010R7-01	消声器密封垫	Exhaust gasket	1

F-5 空滤器 AIR CLEANER ASSY



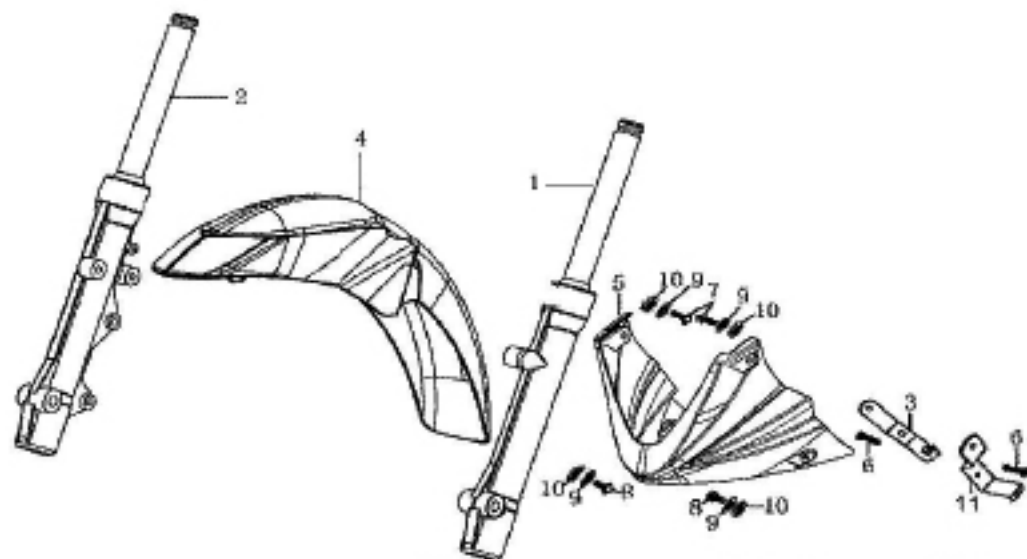
序号	零件编码	零件名称		数量
REF.	PART NO.	CHINESE	ENGLISH	QTY
1	NCC4Q020	空滤器总成	Air cleaner assy	1
2	NCCC340	空滤器装饰板	Decorate plate,Air cleaner	1
3	FB01026CX	自攻钉ST4.8*13	Tapping Screw ST4.8*13	3
4	FB04007CX	台阶螺栓M6*17	Bolt M6*17	2
5	845042016	自攻钉ST4.2*16	Tapping screw ST4.2*16	6
6	NCC4Q020-01	空滤器盖	Cover,air cleaner	2
7	NCC4Q020-02	空滤器滤芯	Filter element,air cleaner	1
8	NCC4Q020-03	空滤器壳	Housing,air cleaner	1

F-6 座垫 油箱 SEAT & FUEL TANK



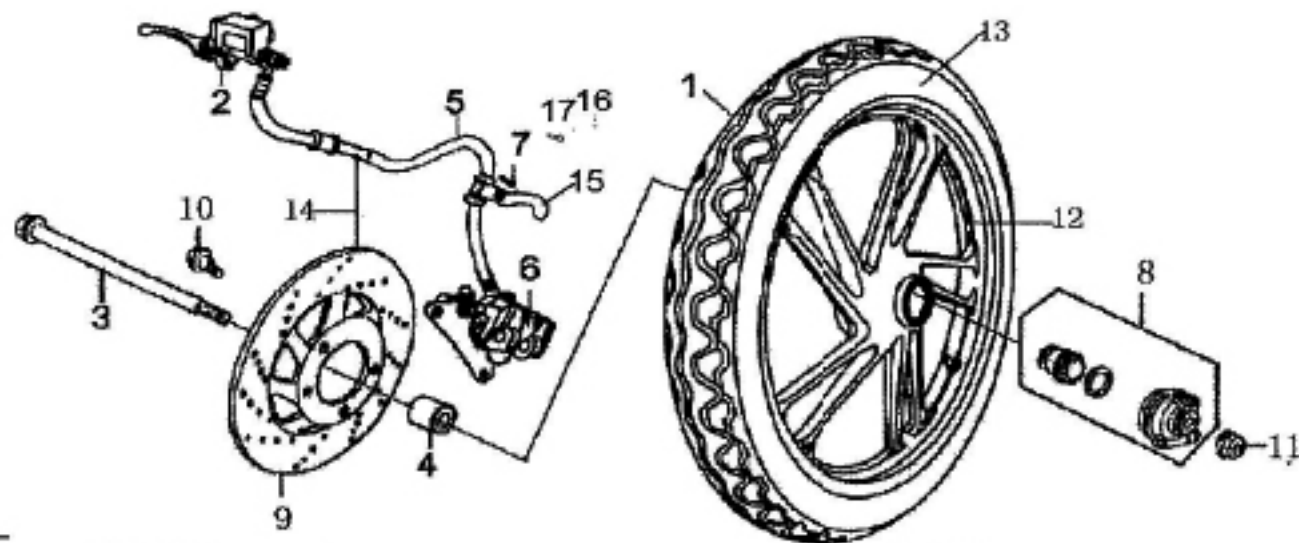
序号	零件编码	零件名称		数量
REF.	PART NO.	CHINESE	ENGLISH	QTY
1	NCCC005	座垫总成	Seat Ass'y	1
2	N971C000	油箱总成	Fuel tank	1
3	NCCE340	燃油传感器总成	Fuel sensor Assy	1
4	NCC1K000	油箱盖	Fuel tank cap	1
5	NCCC190	工具箱上盖	Upper cover, Tool Box	1
6	NCCC192	工具箱下盖	Lower cover, Tool Box	1
7	617706000CX	防滑螺母M6	Slide proof Nut M6	2
8	578706016CX	六角头法兰面螺栓M6*16	Bolt, Flange M6*16	1s
9	960006000CX	大平垫 6	Washer 6	3
10	578706012CX	六角头法兰面螺栓M6*12	Bolt, Flange M6*12	2
11	578708016CX	六角头法兰面螺栓M8*16	Bolt, Flange M8*16	2
12	FG01004	大扁头M6*17	Bolt M6*17	2
13	L44G023	长进油管	Long Intake Fuel Tube	1

F-7 前减震 FRONT SHOCK ABSORBER



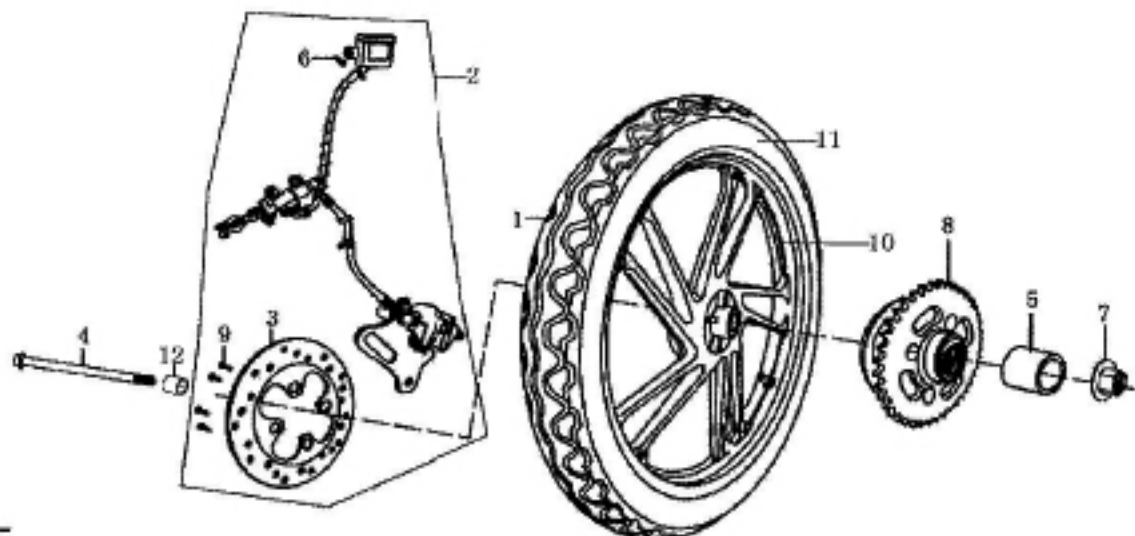
序号	零件编码	零件名称		数量
REF.	PART NO.	CHINESE	ENGLISH	QTY
1	M45B020YB	前右减震器	Front RH,shock absorber	1
2	M45B010YB	前左减震器	Front LH,shock absorber	1
3	ND3P019CX	左挡风板支架	Bracket windproof shield,LH	1
4	ND31C010TN	前挡泥板	Front fender assy	1
5	ND3C2708L	前导流罩	Air guide cover	1
6	578306030CX	螺栓M6*30	Bolt M6*30	2
7	FB01007BCR	大扁头M6*30	Bolt M6*60	2
8	FB01003BCR	大扁头M6*16	Bolt M6*16	2
9	960006000CX	大平垫 6	Washer 6	4
10	NCCG039	胶垫 6*20	Washer 6*20	4
11	ND3P020CX	右挡风板支架	Bracket,Windproof shield, RH	1

F-8 前轮总成 FRONT WHEEL ASSY



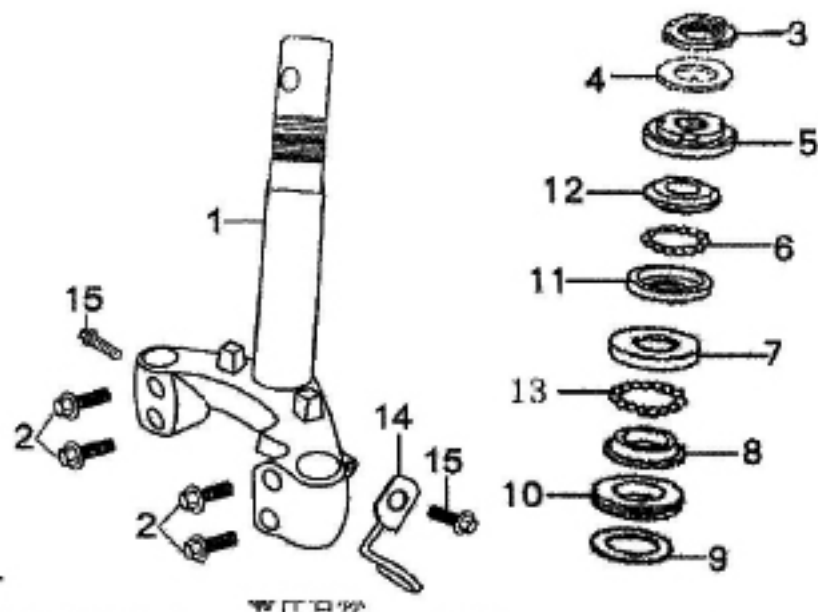
序号	零件编码	零件名称		数量
REF.	PART NO.	CHINESE	ENGLISH	QTY
1	NCCD0207F	前铝轮总成	Front aluminum wheel Ass'y	1
2	ND3D1302Z-01	碟刹上泵	Cylinder sub Assy,FR brake master	1
3	L00LZ066CX	前轮轴	Axle,front wheel	1
4	M00J030CX	前轮右衬套	Bush,front wheel	1
5	ND3D1302Z-02	碟刹油管	Hose,FR disc brake	1
6	ND3D1302Z-03	碟刹下泵	Caliper sub Ass'y,FR	1
7	578706012CX	六角头法兰面螺栓M6*12	Bolt,flange M6*12	1
8	M00D160YH	计速器总成	Speedo meter Ass'y	1
9	ND3D1302Z-04	前碟刹盘	Disc brake,Front wheel	1
10	900008025	前碟刹螺栓M8*25	Bolt M8*25	4
11	618712000XYCX	螺母M12	Nut M12	1
12	N92D040T	前内胎	Front tube	1
13	N92D050T	前外胎	Front tire	1

F-9 后轮总成 REAR WHEEL ASSY



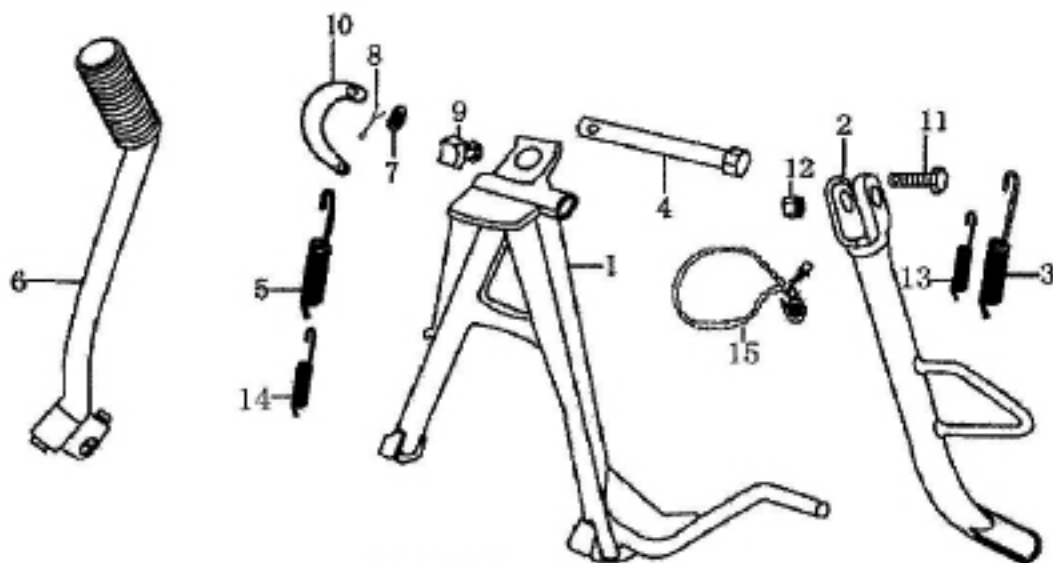
序号	零件编码	零件名称		数量
REF.	PART NO.	CHINESE	ENGLISH	QTY
1	NCCD0307F	后铝轮总成	Rear aluminum wheel Ass'y	1
2	NCC3D1401J	后碟刹总成	Disc brake, rear wheel	1
3	NCC3D1401J-01	后碟刹盘	Rear brake disc	1
4	L00LZ077CX	后轮轴	Axle, Rear wheel	1
5	NCC1J050CX	后轮右衬套	Bush, rear wheel	1
6	578706016CX	六角法兰面螺栓M6*16	Bolt, flange M6*16	1
7	618712000XYCX	螺母M12	Nut M12	1
8	NCC2D150	缓冲体总成	Damping pad	1
9	FB04129	碟刹盘螺钉M8*35	Bolt M8*35	4
10	N92D060	后内胎	Rear tube	1
11	N92D070	后外胎	Rear tire	1
12	NCCJ040CX	后轮左衬套	Bush	1

F-10 方向柱总成 STEERING STEM ASSY



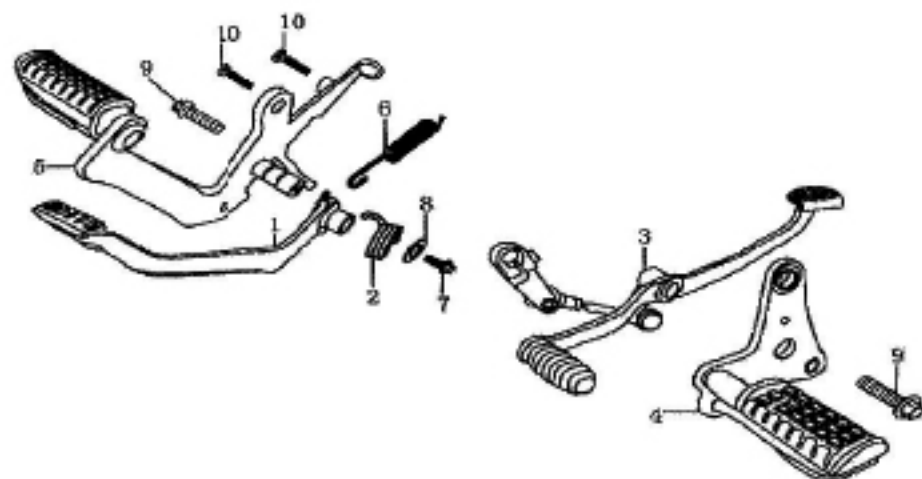
序号	零件编码			数量
REF.	PART NO.	CHINESE	ENGLISH	QTY
1	NCCB050	方向柱总成	Steering stem	1
2	578710045XYCX	螺栓 M10×45	Bolt M10×45	4
3	578710050	螺栓 M10×50	Bolt M10×50	1
4	NCCB054	锁紧螺母	Lock nut,steering stem	1
5	NCCB054	止转片	Adjusting washer,steering stem	1
6	NCCB055	上钢珠组合	Ball set,steel upper	1
7	NCCH005	下挡圈	Race,steering bottom ball	1
8	NCCH002	下座圈	Race,steering bottom cone	1
9	NCCB025	垫片	Washer	1
10	NCCB051	防震胶垫	Dust seal,steering head	1
11	NCCH001	上座圈	Race,steering top ball	1
12	NCCH003	上挡圈	Race,steering top cone	1
13	NCCH006	下钢珠组合	Ball set,steel lower	1

F-11 主支架 CENTER STAND



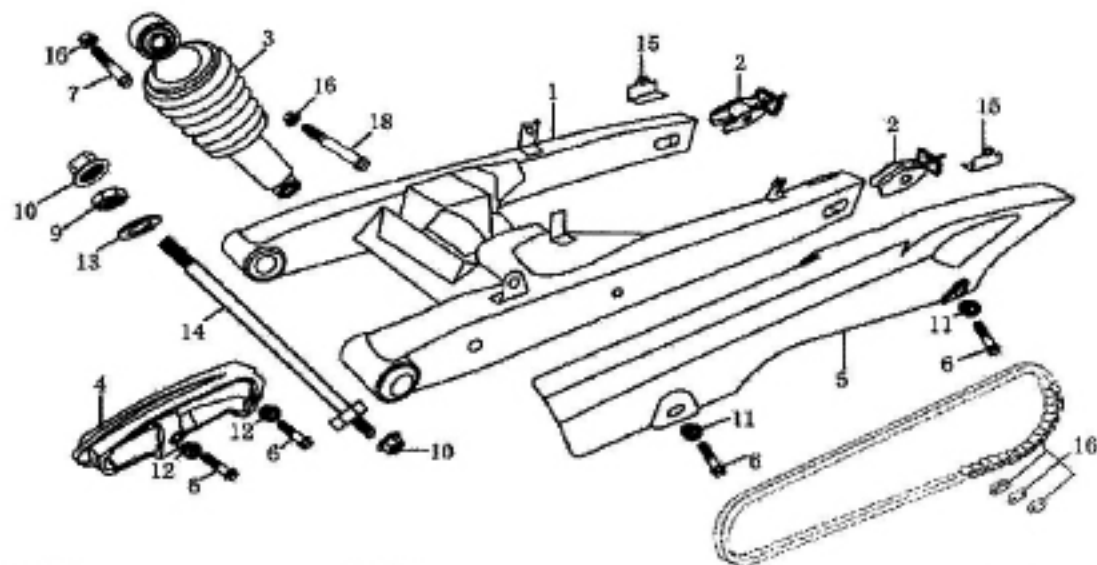
序号	零件编码			数量
REF.	PART NO.	CHINESE	ENGLISH	QTY
1	ND3A1007A	主支架总成	Center stand	1
2	NCC2A110	侧支架杆	Side stand	1
3	NCC1K030CX	侧支架簧1	Spring,side stand 1	1
4	NCCH040CX	主站架轴	Shaft,center stand	1
5	NCC1K020CX	主支架簧1	spring,center stand 1	1
6	L00QD115BCR	起动杆	Kick starter	1
7	FB02000CX	垫圈	Washer	1
8	910030030CX	开口销Φ3*30	Split pin 3*30	1
9	L001G112	主支架缓冲胶	Cushion rubber	1
10	NCCP030	月形挂钩	C-shaped hook	1
11	FB04122	侧支架螺钉	Bolt M10*33	1
12	FB05031	侧支架螺母	Nut M10	1
13	NCC1K030CX-01	侧支架簧2	Spring,side stand 2	1

F-12 脚蹬及后制动踏板 FOOTREST & RE. BRAKE PEDAL



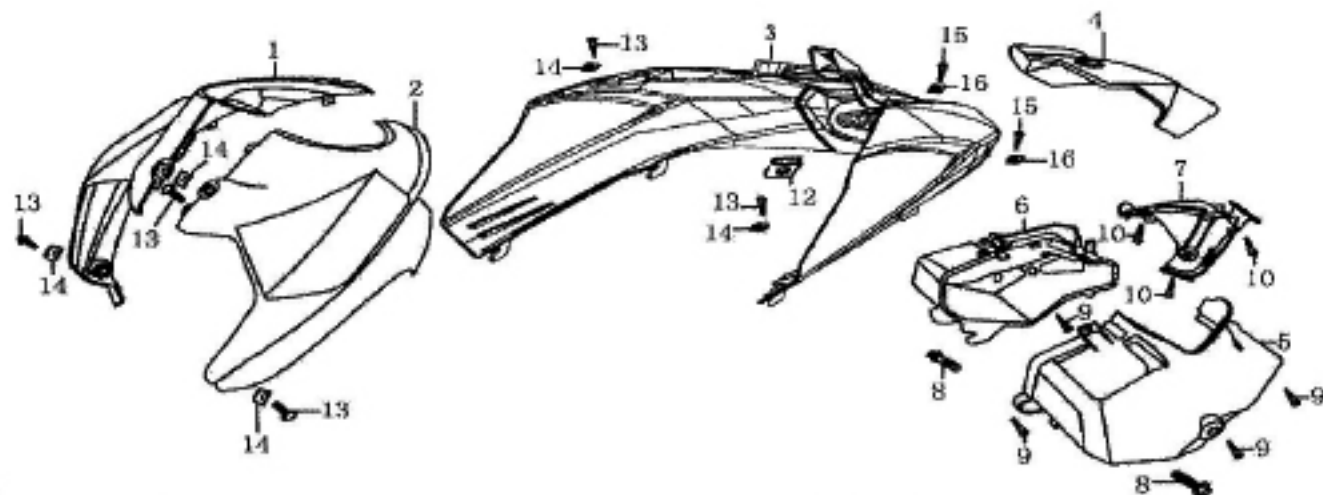
序号	零件编码	零件名称		数量
REF.	PART NO.	CHINESE	ENGLISH	QTY
1	NCCD180	后制动踏板	Rear brake pedal	1
2	NCCK040CX	后刹踏板回位簧	Return spring, rear brake pedal	1
3	L00BX214BCR	变速踏板	Gear shifting pedal	1
4	ND3A1207A	前左主脚蹬总成	Front footrest, LH	1
5	ND3A1307A	前右主脚蹬总成	Front footrest, RH	2
6	N97K050CX	后刹开关簧	Spring, rear brake switch	1
7	578708012CX	六角法兰面螺栓M8*12	Bolt, flange M8*12	1
8	FB02103CX	平垫	Washer	1
9	578708016CX	六角法兰面螺栓M8*16	Bolt, flange M8*16	2
10	578306020CX	六角头螺栓M6*20	Bolt, flange M6*20	2

F-13 平叉总成 REAR FORK ASSY

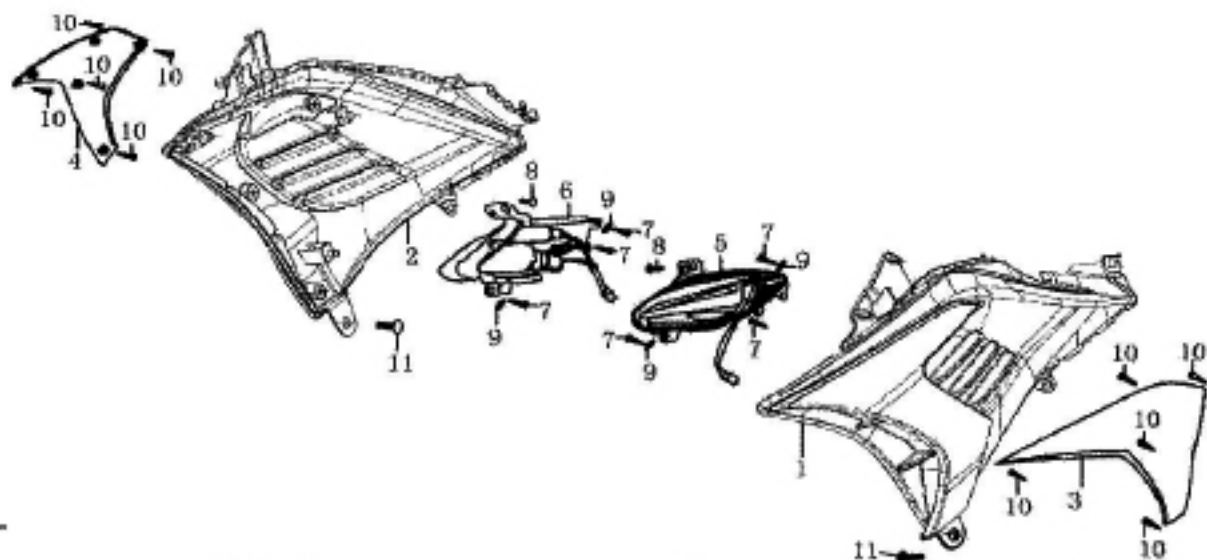


序号	零件编码			数量
REF.	PART NO.	CHINESE	ENGLISH	QTY
1	NCCA0907F	平叉总成	Rear fork Assy	1
2	NCC1D171CX	链条调节器	Adjuter,drive chain	2
3	NCCB070	后中心减震器	Rear Shock absorber	1
4	N971G009	链条护卡	Chain guide	1
5	NCCC180	链盒总成	Chain case	1
6	578706012CX	六角法兰面螺栓M6*12	Bolt,flange M6*12	4
7	578710045XYCX	六角法兰面螺栓M10*45	Bolt,flange M10*45	1
8	578710085XYCX	六角法兰面螺栓M10*85	Bolt,flange M10*85	1
9	617312000XYCX	薄螺母M12	Nut M12	1
10	618712000XYCX	六角法兰面螺母M12	Nut,flange M12	2
11	FB03001CX	翻边衬套φ6*φ18*4	Collar	2
12	FB03002CX	翻边衬套φ6.5*φ18*7	Collar	2
13	971012000CX	平垫12	Washer 12	1

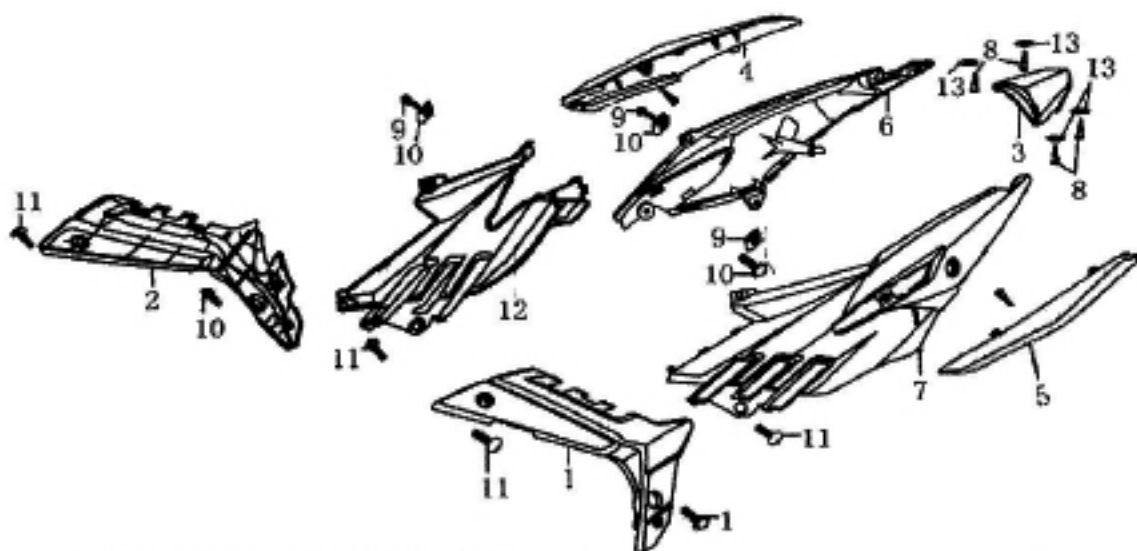
F-14 覆盖件1 BODY COVER 1



序号	零件编号	零件名称		数量
REF.	PART NO.	CHINESE	ENGLISH	QTY
1	ND3C900	主管右护罩	Protecting hood,RH	1
2	ND3C899	主管左护罩	protecting hood,LH	1
3	ND3C2548L	置物箱护罩	Protecting hood,storage box	1
4	ND3C2538L	置物箱外盖	Outer cover,storage box	1
5	NCCC256	置物箱左体	Left body,storage box	1
6	NCCC257	置物箱右体	Right body,Storage box	1
7	NCCC255	置物箱内盖	Inner cover,storage box	1
8	578706016CX	六角法兰面螺栓M6*16	Bolt,flange M6*16	2
9	845042013CX	自攻钉ST4.2*13	Tapping Screw ST4.2*13	4
10	FB01023CX	自攻钉ST4.3*13	Tapping Screw ST4.2*13	3
11	FB01003BCR	大扁头M6*16	Screw M6*16	1
12	FB08000CX	长螺母卡子M6	Clip,Nut M6	1
13	9074105016CX	十字带垫螺钉M5*16	Screw with washer M5*16	5

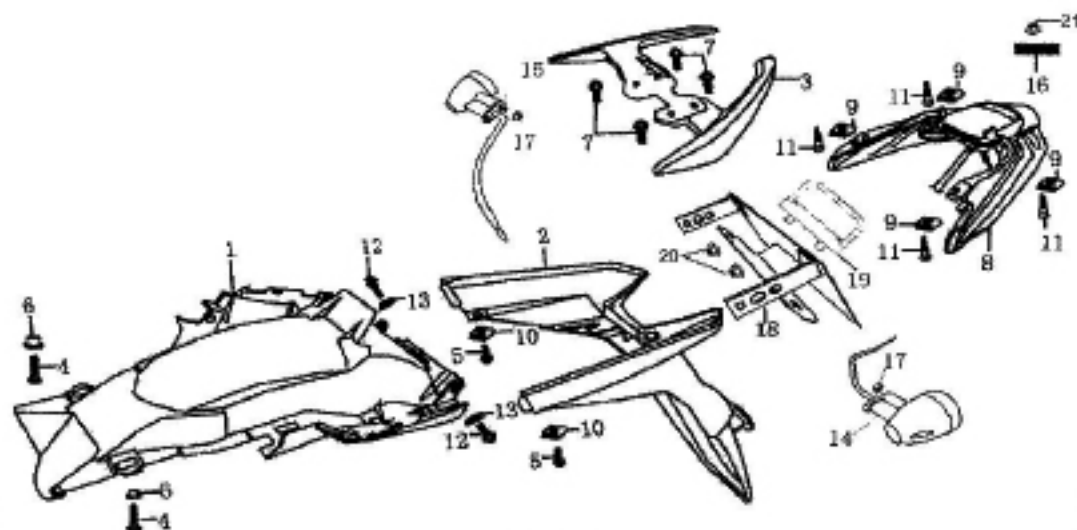


序号	零件编码			
REF.	PART NO.	CHINESE	ENGLISH	QTY
1	ND3C123	左挡风内板	Inner cover,wind shield,LH	1
2	ND3C124	右挡风内板	Inner cover,wind shield,RH	1
3	ND3C1268L	左挡风外板	Outer cover,wind shield,LH	1
4	ND3C1278L	右挡风外板	Outer cover,wind shield,RH	1
5	ND33E170	前左转向灯总成	Front wihker ,L	1
6	ND33E180	前右转向灯总成	Front wihker ,R	1
7	845042013CX	自攻钉ST4.2*13	Tapping screw ST4.2*13	6
8	9074105016CX	十字带垫螺钉M5*16	Screw with washer M5*16	2
9	960005000CX	大平垫 5	Washer 5	4
10	FB01061CX	自攻钉ST4.2*10	Tapping screw ST4.2*10	10
11	FB01003BCR	大扁头M6*16	Screw M6*16	2



序号	零件编码			
REF.	PART NO.	CHINESE	ENGLISH	QTY
1	ND3C120TN	右前护板	Right Hood	1
2	ND3C115TN	左前护板	Left Hood	1
3	NCCC0858L	后尾盖	Rear cover	1
4	ND3C570	右车体装饰盖	Decorate cover,RH	1
5	ND3C565	左车体装饰盖	Decorate cover,LH	1
6	ND3C0958L	右车体	Body,RH	1
7	ND3C090TN	左车体	Body,LH	1
8	FB01061CX	自攻钉ST4.2*10(大盘)	Tapping screw ST4.2*10	4
9	FB08003CX	螺母卡子M5	Clip M5	3
10	9074105016CX	十字带垫螺栓M5*16	Bolt with washer M5*16	2
11	FB01003BCR	大扁头M6*16	Screw M6*16	4
12	ND3C0707M	右侧盖	Right side cover	1
13	960006000	平垫6	Washer 6	4

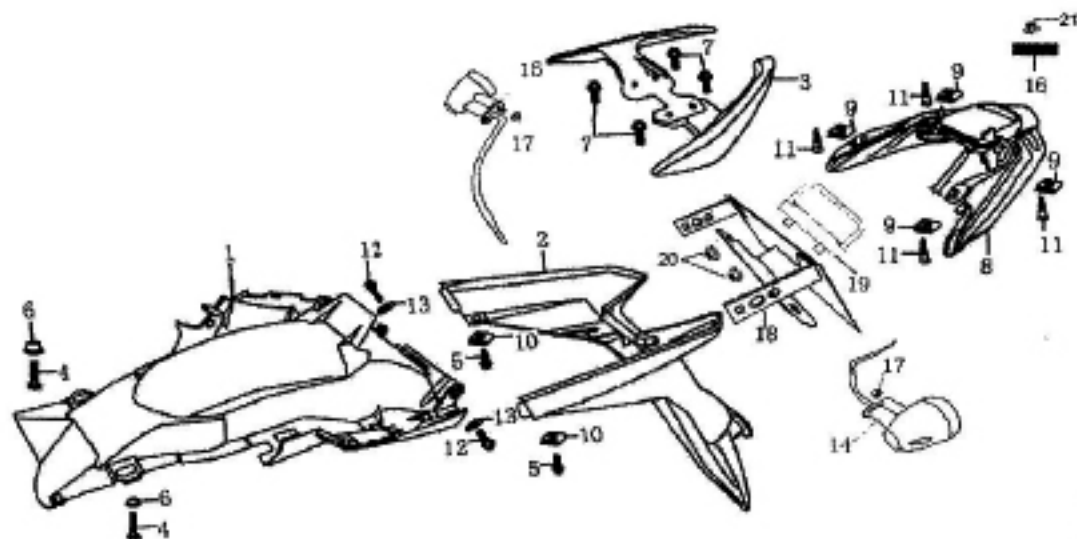
F-17 后挡泥板及后扶手 REAR FENDER A JY & REAR HANDRAIL



序号	零件编码			数量
REF.	PART NO.	CHINESE	ENGLISH	QTY
1	ND3C016	后挡泥板前段	Front body, rear fender	1
2	ND33C017	后挡泥板后段	Rear body, rear fender	1
3	NCCA0407F	后扶手	Rear handrail	1
4	578305016CX	六角头螺栓M5*16	Bolt M5*16	2
5	9074105012CX	十字带垫螺钉M5*12	Screw with washer M5*12	2
6	FB03002CX	翻边衬套	Collar 6.5*18*7	2
7	578708020CX	六角头法兰面螺栓M8*20	Bolt, flange M8*20	4
8	ND33E210	后尾灯总成	Taillight	1
9	FB01027CX	自攻钉卡子4.2*17*11	Clip, tapping screw 4.2*17*11	4
10	FB08003CX	螺母卡子M5	Clip M5	2
11	FB08005CX	自攻钉ST4.8*16	Tapping screw ST4.8*16	4
12	578706016CX	六角法兰面螺栓M6*16	Bolt, flange M6*16	2
13	960005000CX	平垫5	Washer 5	2

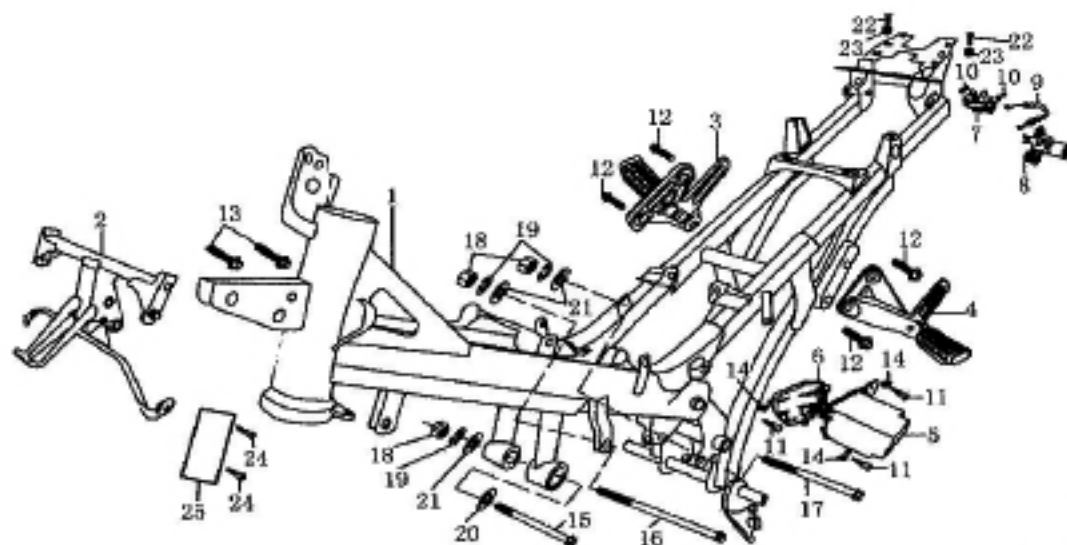
14	J311E190	后左转向灯总成	Rear winker, L	1
15	J311E200	后右转向灯总成	Rear winker, R	1
16	L36C370	后反射器	REAR reflector assy	1
17	618706000	螺母	Nut	2
18	N921E220	后牌照灯	rear license light	1
19	NCCP075	后牌照支架	rear license bracket	1

F-17 后挡泥板及后扶手 REAR FENDER ASSY & REAR HANDRAIL



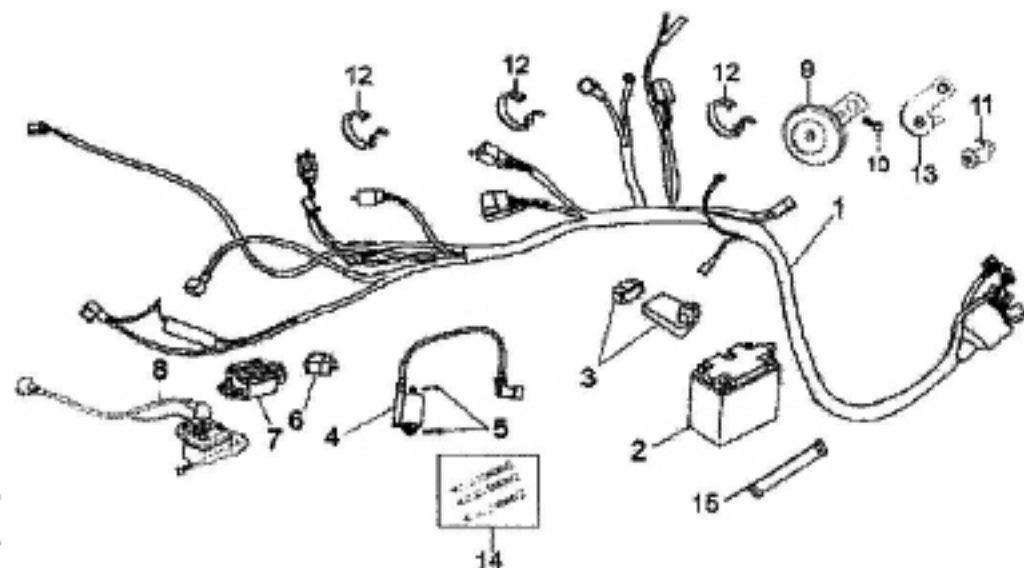
序号	零件编码	CHINESE	ENGLISH	数量
REF.	PART NO.			QTY
20	618706000	螺母	Nut	2
21	618706000	螺母	Nut	1

F-18 车架总成 BODY FRAME ASSY



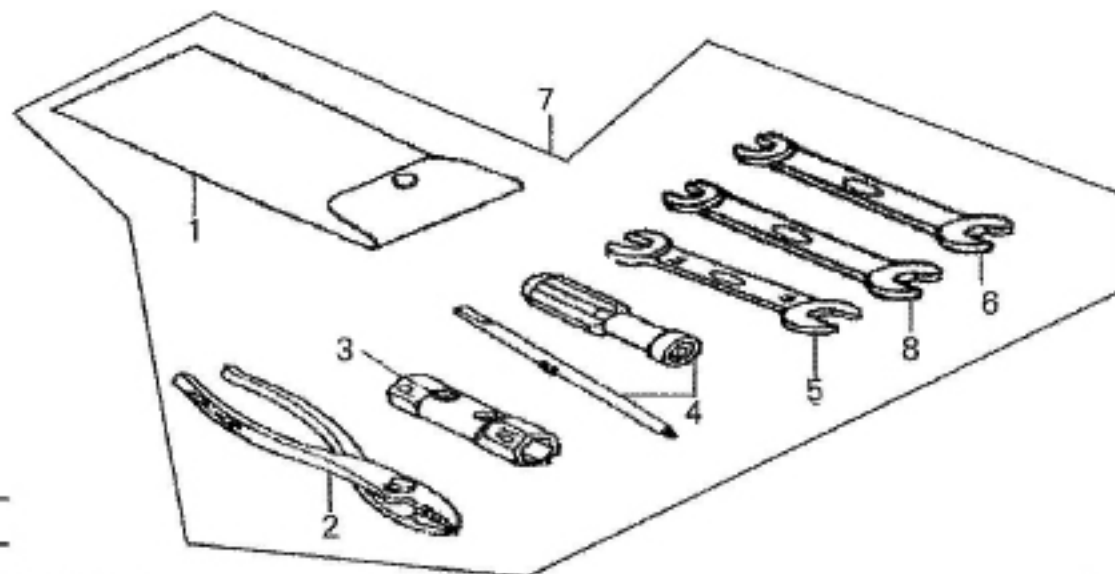
序号	零件编码			数量
REF.	PART NO.	CHINESE	ENGLISH	QTY
19	930008000CX	弹垫 8	spring washer	3
20	960008000CX	大平垫 8	washer	2
21	971008000CX	平垫 8	Washer	2
22	578306025CX	螺栓M6*25	Bolt M6*25	2
23	FB03004CX	翻边衬套	Collar	2
24	1261832007	抽芯铆钉	Rivet	2
25	N92L000EL	车架铭牌	Nameplate	1

F-19 主电缆 WIRING HARNESS



序号	零件编码			数量
REF.	PART NO.			QTY
1	NCCAE000	主电缆总成	Wiring harness	1
2	L00ED95K8	电瓶	battery	1
3	N92E050	点火器总成	C.D.I unit	1
4	N00E010CB4	点火线圈总成	Coil ass'y, ignition	1
5	578305020CX	螺栓M5*20	Bolt M5*20	2
6	L00E040	闪光器总成	Flasher	1
7	L001E020	调压器总成	Rectifier ass'y, regulator	1
8	L00E030	启动继电器总成	Start relay	1
9	N92E330	喇叭总成	Horn	1
10	578306018CX	螺栓M6*12	Bolt M6*12	1
11	NCC1K007	置物箱锁	Lock	1
12	NCCG035	主电缆扎带	Plastics clamp	3
13	NCCP094	喇叭支架	Bracket, horn	1

F-20 随车工具 TOOL KIT



序号	零件编码			数量
REF.	PART NO.			QTY
1	L00N006	工具袋	Tool bag	1
2	L00N005	鲤鱼钳	Slip-joint pliers	1
3	L00N001	火花塞套筒扳手	Spark plug wrench	1
4	L00N002	双头螺丝刀	Double-end screw driver	1
5	L00N003	开口扳手8×10	Open-ended spanner 8×10	1
6	L00N004	开口扳手12×14	Open-ended spanner 12×14	1
7	L00N000CX	随车工具总成	Tool Kit	1